

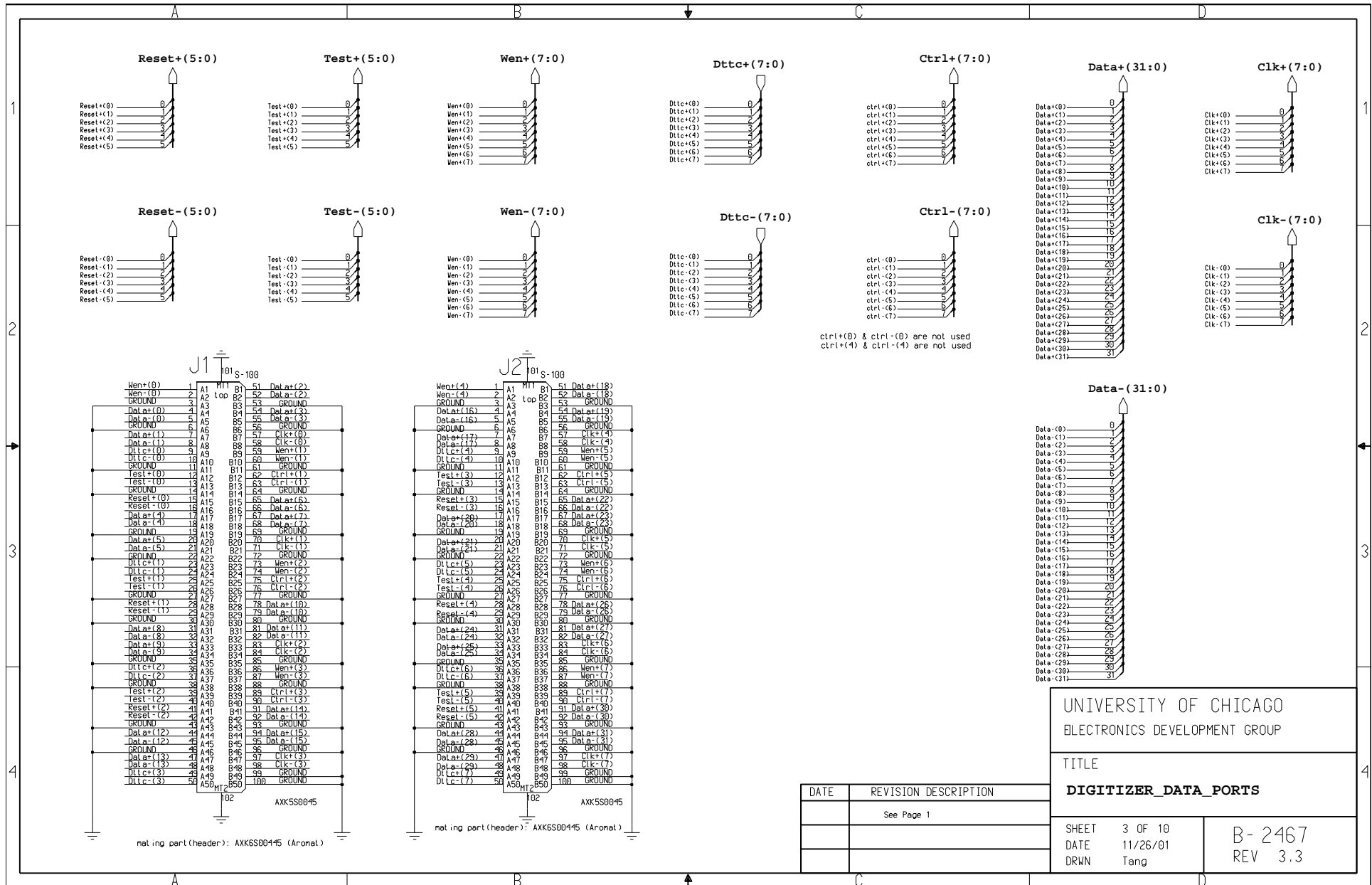
UNIVERSITY OF CHICAGO
ELECTRONICS DEVELOPMENT GROUP

TITLE
INTERFACE CARD

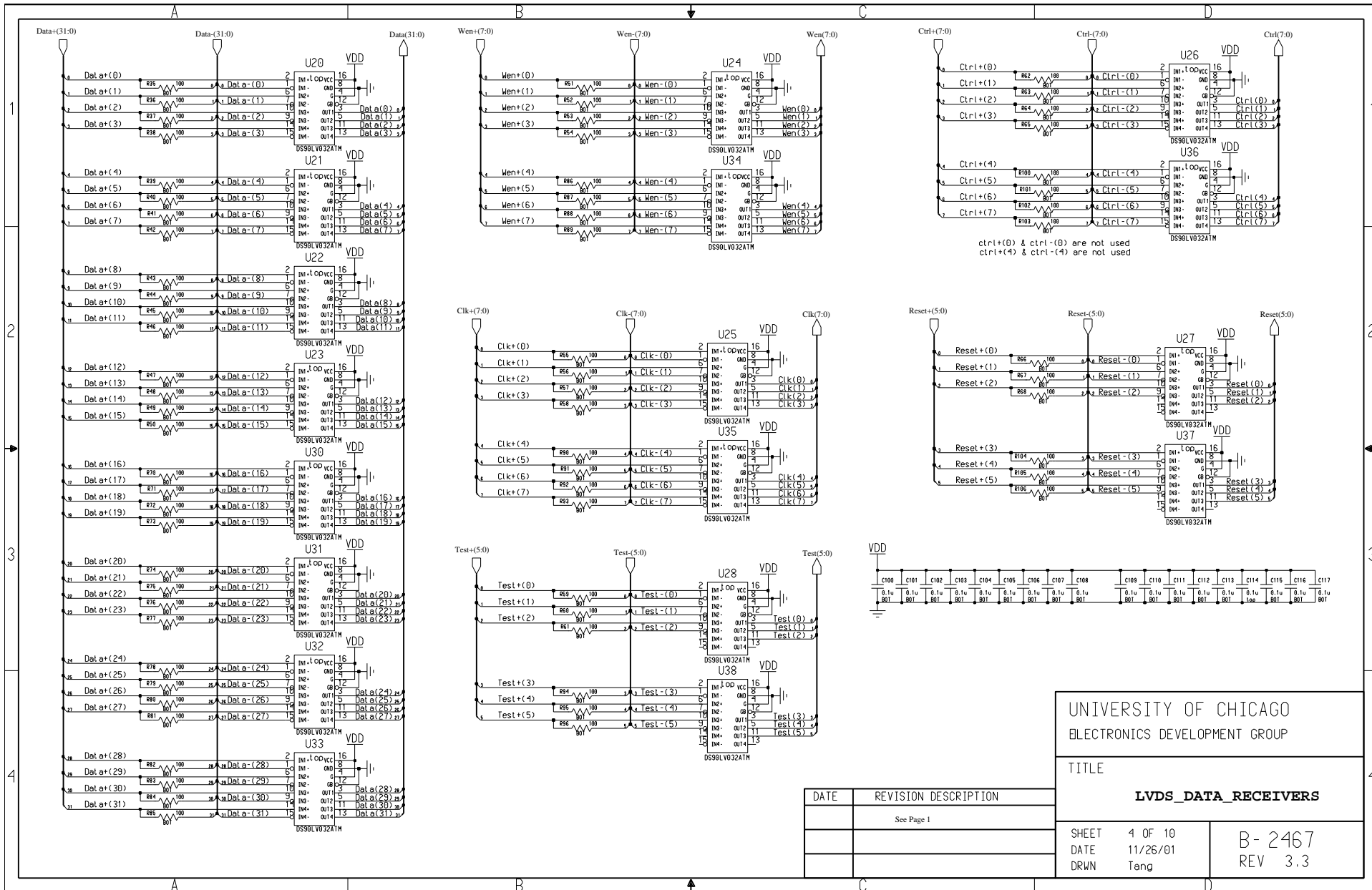
| DATE | REVISION | DESCRIPTION |
|-------|----------|---|
| 05/00 | | Version 0 and Version 2.0 are designed by Neilson |
| 02/01 | | Version 3.0: All TTL signals are changed to 3.3V. |
| 06/01 | | Version 4.0: All TTL signals are changed to 3.3V. ESMPXENB is added to the TX receivers. |
| 09/01 | | Version 5.0: The optical fibers are added for TTC receivers. |
| 11/26 | | Version 6.0: A barrel and channel settings is added. |

SHEET 1 OF 10
DATE 11/26/01
DRWN Temp

C-2467
REV 3.3



| | |
|--|----------------------|
| UNIVERSITY OF CHICAGO ELECTRONICS DEVELOPMENT GROUP | |
| TITLE DIGITIZER_DATA_PORTS | |
| DATE | REVISION DESCRIPTION |
| | See Page 1 |
| SHEET 3 OF 10 | B-2467 |
| DATE 11/26/01 | REV 3.3 |
| DRWN Tang | |



UNIVERSITY OF CHICAGO
ELECTRONICS DEVELOPMENT GROUP

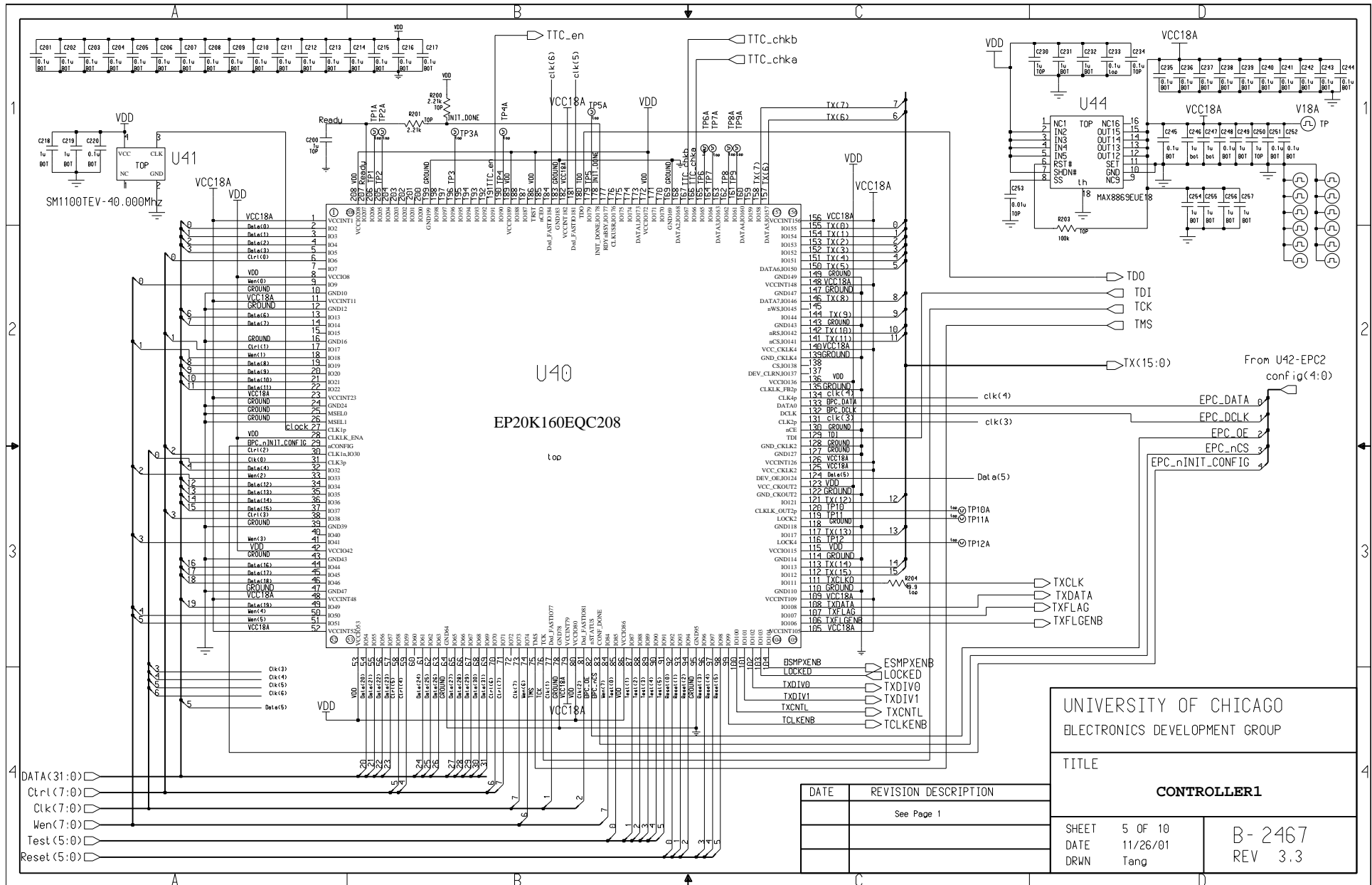
TITLE

LVDS_DATA_RECEIVERS

| DATE | REVISION | DESCRIPTION |
|------|----------|-------------|
| | | See Page 1 |

SHEET 4 OF 10
DATE 11/26/01
DRWN Tang

B-2467
REV 3.3



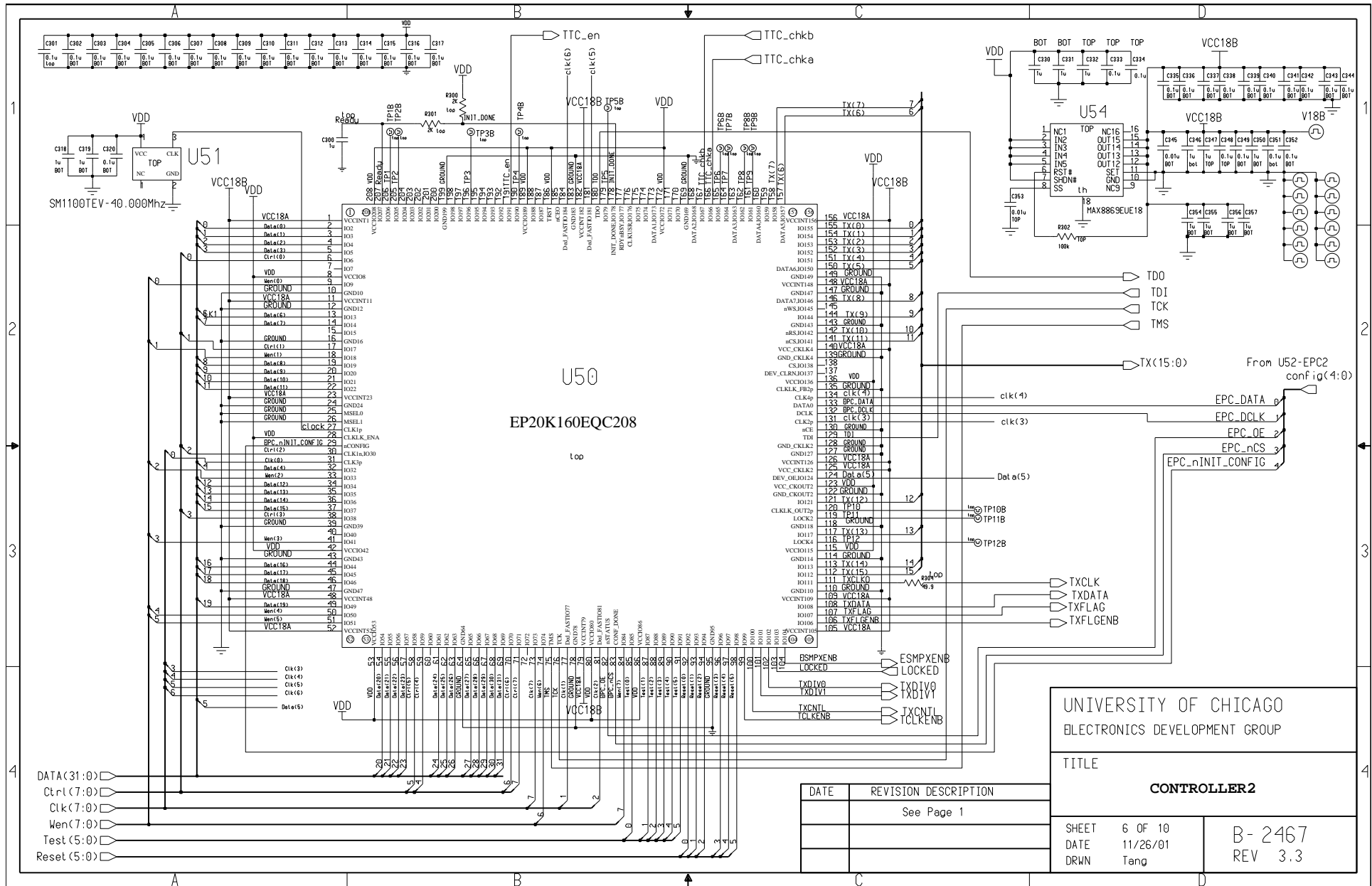
UNIVERSITY OF CHICAGO
ELECTRONICS DEVELOPMENT GROUP

TITLE

CONTROLLER1

| DATE | REVISION | DESCRIPTION |
|------|------------|-------------|
| | See Page 1 | |

| | | |
|-------|----------|-------------------|
| SHEET | 5 OF 10 | B-2467 REV 3.3 |
| DATE | 11/26/01 | |
| DRWN | Tang | |



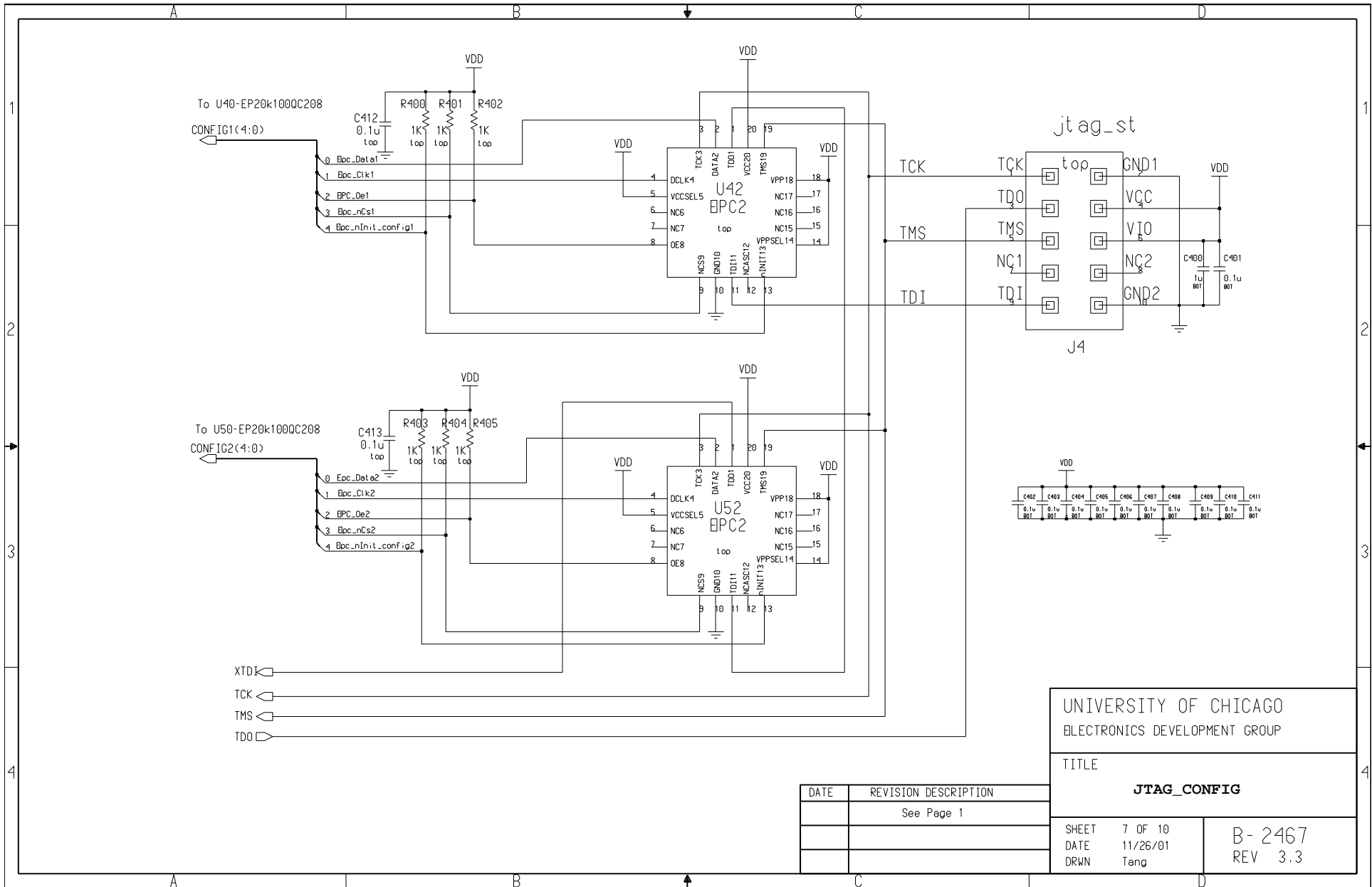
UNIVERSITY OF CHICAGO
ELECTRONICS DEVELOPMENT GROUP

TITLE

CONTROLLER2

| DATE | REVISION | DESCRIPTION |
|------|----------|-------------|
| | | See Page 1 |

| | | |
|-------|----------|--------|
| SHEET | 6 OF 10 | B-2467 |
| DATE | 11/26/01 | |
| DRWN | Tang | |

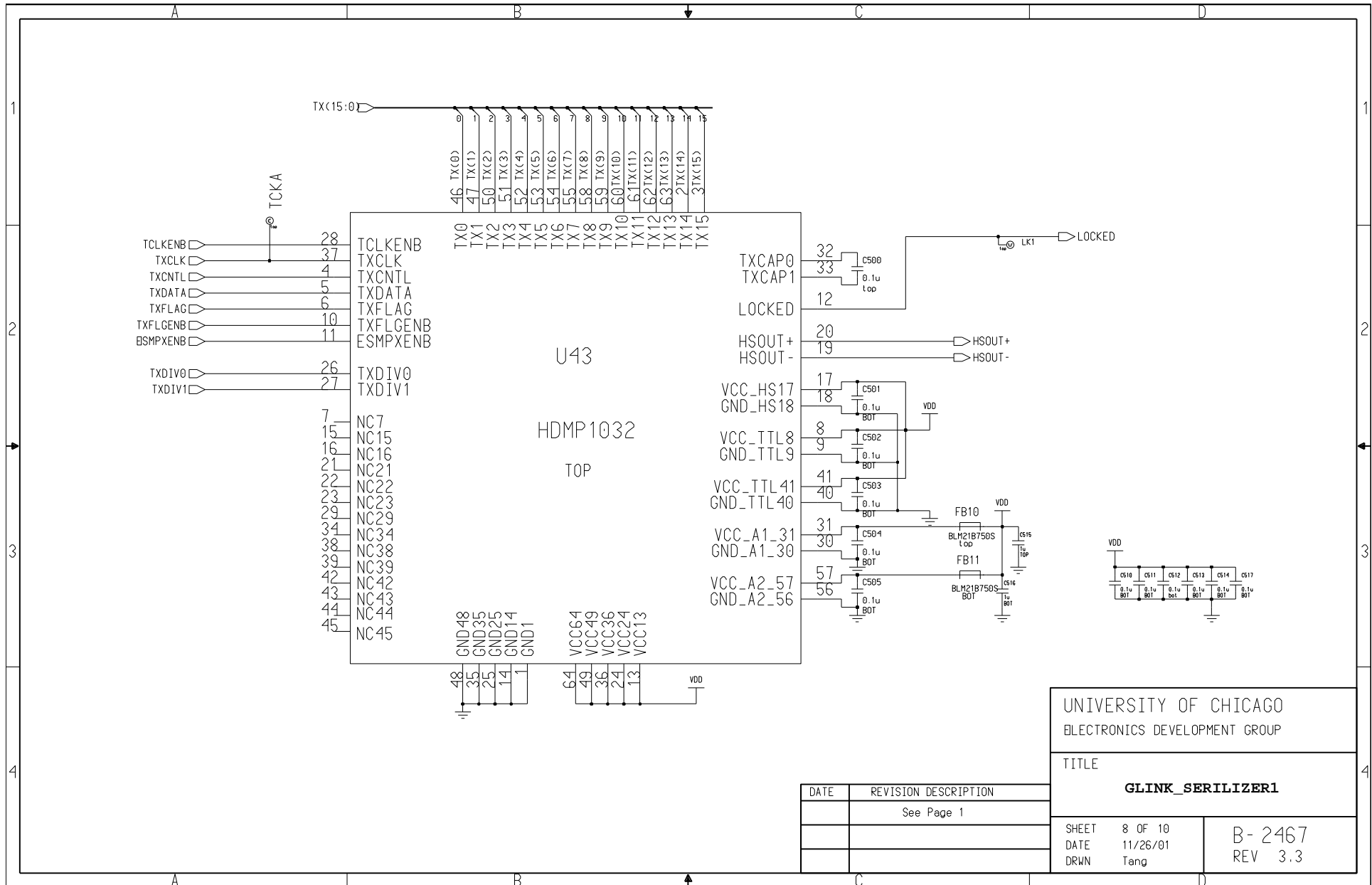


UNIVERSITY OF CHICAGO
ELECTRONICS DEVELOPMENT GROUP

TITLE
JTAG_CONFIG

| | | |
|-------|----------|-------------------|
| SHEET | 7 OF 10 | B-2467 REV 3.3 |
| DATE | 11/26/01 | |
| DRWN | Tang | |

| DATE | REVISION DESCRIPTION |
|------|----------------------|
| | See Page 1 |
| | |
| | |

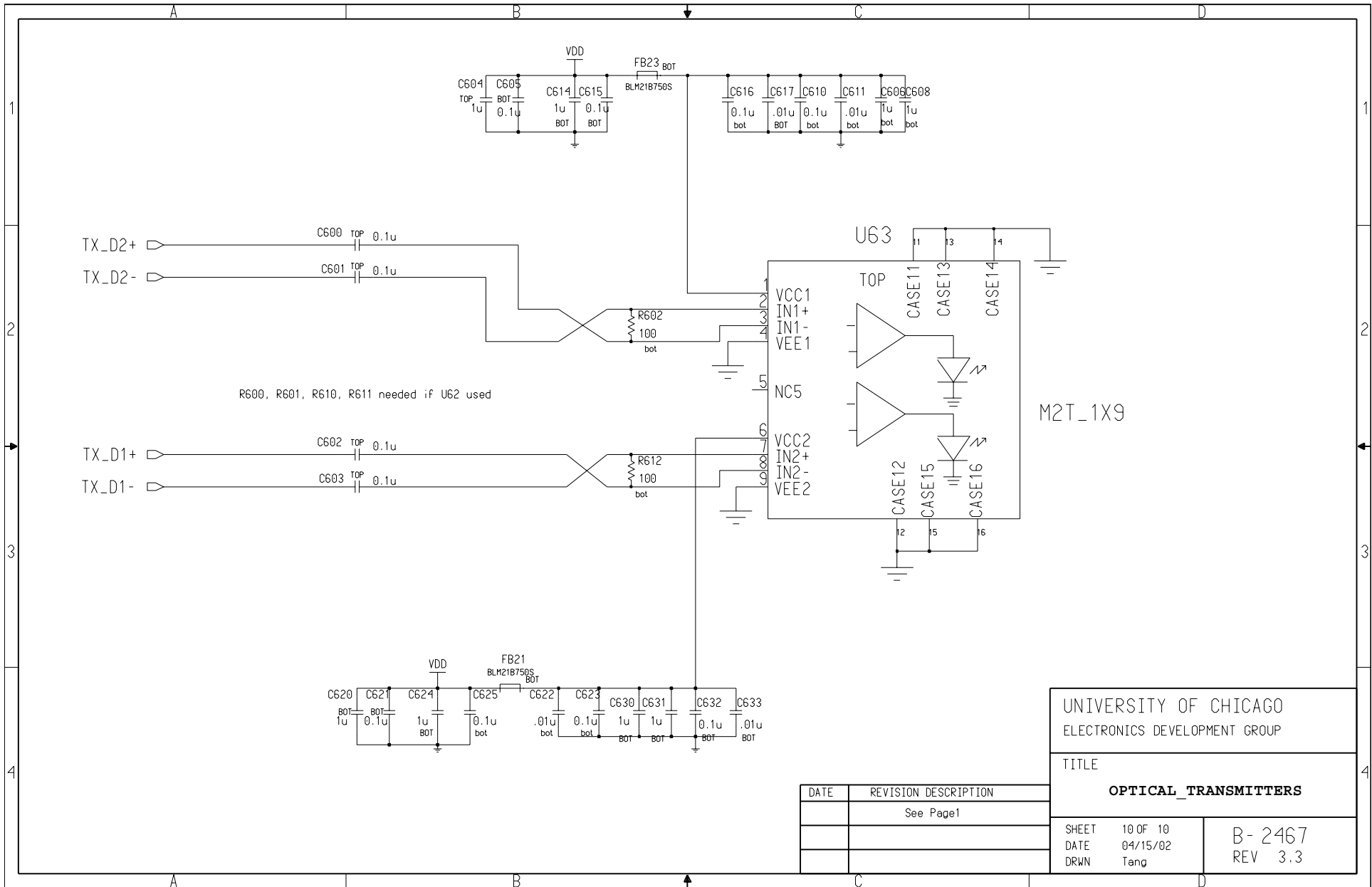


UNIVERSITY OF CHICAGO
ELECTRONICS DEVELOPMENT GROUP

TITLE
GLINK_SERILIZER1

| DATE | REVISION | DESCRIPTION |
|------|----------|-------------|
| | | See Page 1 |
| | | |
| | | |

| | | |
|-------|----------|-------------------|
| SHEET | 8 OF 10 | B-2467 REV 3.3 |
| DATE | 11/26/01 | |
| DRWN | Tang | |



| | | |
|--|----------|-------------------|
| UNIVERSITY OF CHICAGO ELECTRONICS DEVELOPMENT GROUP | | |
| TITLE | | |
| OPTICAL_TRANSMITTERS | | |
| SHEET | 10 OF 10 | B-2467 REV 3.3 |
| DATE | 04/15/02 | |
| DRWN | Tang | |

| DATE | REVISION DESCRIPTION |
|------|----------------------|
| | See Page1 |
| | |
| | |